



WARN Industrial Winch

Model

**Series 9-S
Spydura ProMax
DC Electric Winch
Manual Clutch**

Part Number

91033

Motor Type

DC Electric
12 Volt
Series Wound



Actual product may differ from photo. See drawing on page 2 for details.

The Series 9-S winch is equipped with Warn Spydura ProMax synthetic rope and a drum and fairlead designed specifically for synthetic winch rope. Spydura ProMax synthetic rope features improved strength and ease of handling over conventional wire rope as well as full length rope cover for improved abrasion and UV resistance.

The winch also features a weatherproof industrial contactor and heavy duty remote control. The disc brake is designed to hold full rated load and the motor is protected by a thermal over-load switch. Designed to meet CE standards.

Remote Control Assembly-10m, Synthetic Rope, and Hawse Fairlead included

Accessories

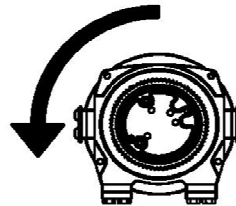
Description:
Kit-Synthetic Rope-Spydura ProMax-3/8" x 100ft
Kit-Fairlead-Hawse-12in-Syn Rope

Part Number
91830
91690

Engineering Data

Rated Pulling Force:	9000 lbf	4082 kgf
Drum Barrel Diameter:	4.0 in	102 mm
Drum Flange Diameter:	8.24 in	209 mm
Distance Between Flanges:	9.7 in	246 mm
Recommended Maximum Rope Diameter:	1/2 in	12.7 mm
Recommended Min. Rope Breaking Strength:	16,000 lbf	7257 kgf
Approximate Shipping Weight:	95.0 lb	43.1 kg
Duty Cycle (intermittent per SAE J706 section 6.2):	75 ft	22.9 m
Mounting Bolt Torque:	35 - 40 ft*lbf	47 - 54 N*m
Maximum Layers of Rope:	4 (with 3/8" rope)	
Gear Reduction:	199:1	
Brake Type:	Disk	
Contactor / Remote Type:	Industrial contactor with 33' (10m) heavy duty remote	

Drum Rotation



Viewed from Motor End

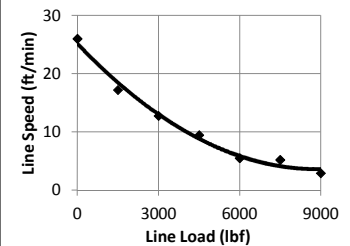
Standards Compliance

- 1.-CE Machinery Directive 98/37/EC and 2006/42/EC
- 2.-CE Electromagnetic Compatibility 2004/108/EC

Performance By Layer- 3/8" (9.5 mm) dia. rope

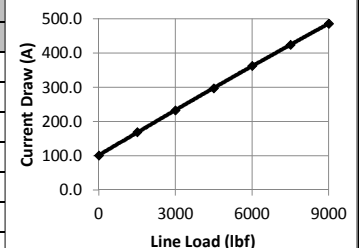
Drum Layer	Line Load *			No Load Line Speed		Drum Capacity	
	lbf	kgf	kN	ft/min	m/min	ft	m
1	9000	4082	40.0	26.0	7.9	25	7.6
2	7518	3410	33.4	31.1	9.5	54	16.5
3	6455	2928	28.7	36.3	11.1	87	26.5
4	5655	2565	25.2	41.4	12.6	125	38.1

* Never exceed the Rated Pulling Force. Installation of a Rated Capacity Limiter is recommended.



First Layer Performance

Line Load		Current Draw	Line Speed		Duty Cycle
lbf	kgf	Amps	ft/min	m/min	min/10min
0	0	101.0	26.0	7.9	4.1
1500	680	169.1	17.2	5.2	2.1
3000	1361	233.0	12.8	3.9	1.4
4500	2041	296.9	9.5	2.9	1.1
6000	2722	362.9	5.5	1.7	0.9
7500	3402	424.7	5.2	1.6	0.7
9000	4082	486.0	2.9	0.9	0.6



WARN INDUSTRIES, INC
Industrial Products

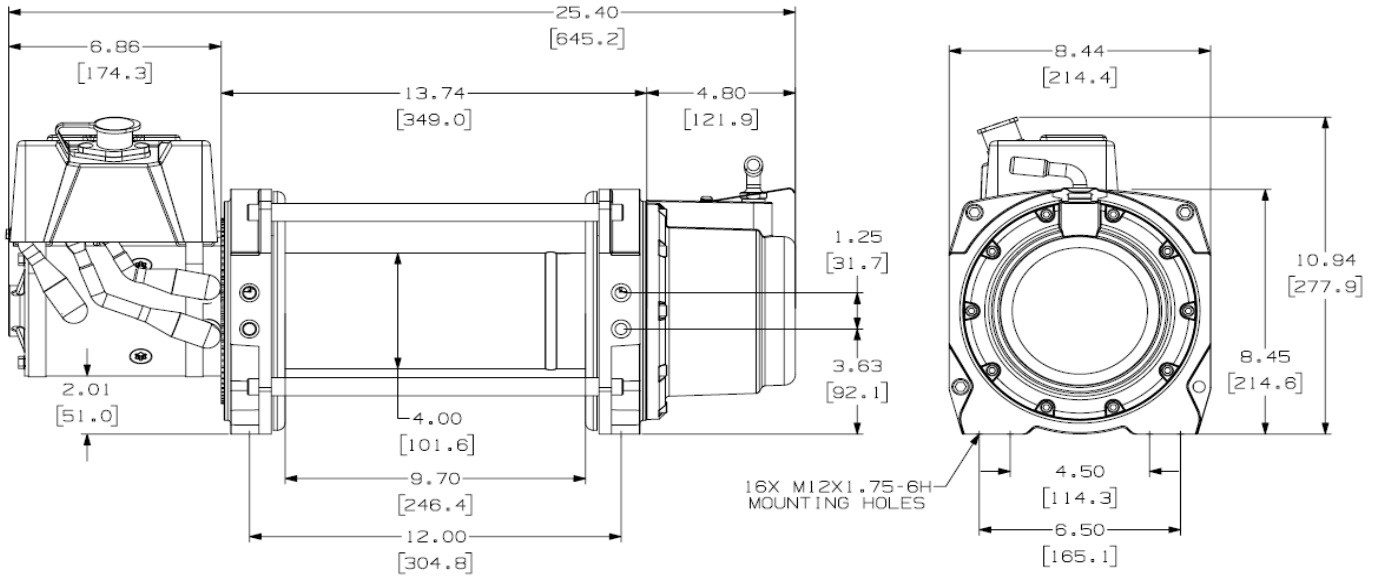
Customer Service (North America): 1.800.543.9276
Customer Service (International): 1.503.722.3008
FAX: 1.503.722.3000 www.warn.com

12900 S.E. Capps Road,
Clackamas, OR USA 97015



WARN Industrial Winch

Model	Part Number	Motor Type
Series 9-S Spydura ProMax DC Electric Winch Manual Clutch	91033	DC Electric 12 Volt Series Wound



Motor / Contactor may be rotated in 90 degree increments. Clutch housing may be rotated in 72 degree increments.

Units are given in inches [millimeters], unless otherwise specified

Recommended Mounting- Always Observe Correct Drum Rotation			Electrical System Specifications
Pull from bottom of winch	Pull from bottom of winch	Pull from top of winch	650 CCA Battery Minimum
			See Electrical Cable Gauge Size Chart for cable sizing
Feet down	Feet forward	Feet forward	All electrical connections must be clean and tight
Pull from top of winch	Pull from top of winch	Pull from top of winch	Electrical System Wiring Schematic
Feet down without angle brace	Feet down with angle brace	Angle Braces Only	Notes:

WARN INDUSTRIES, INC
Industrial Products

Customer Service (North America): 1.800.543.9276
Customer Service (International): 1.503.722.3008
FAX: 1.503.722.3000 www.warn.com

12900 S.E. Capps Road,
Clackamas, OR USA 97015